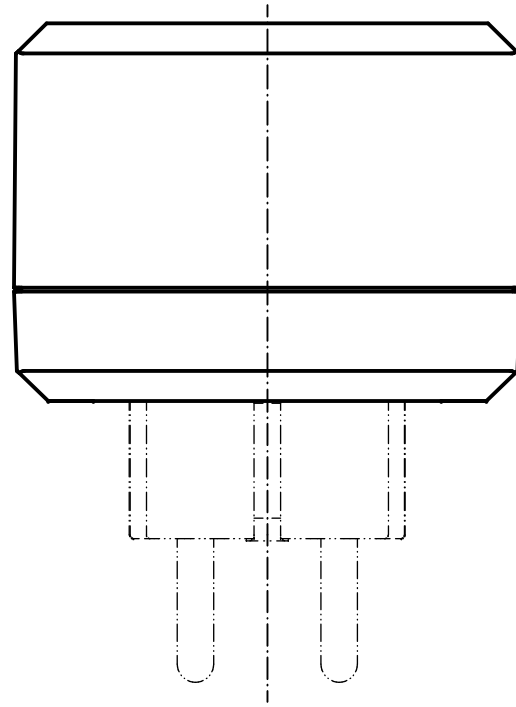
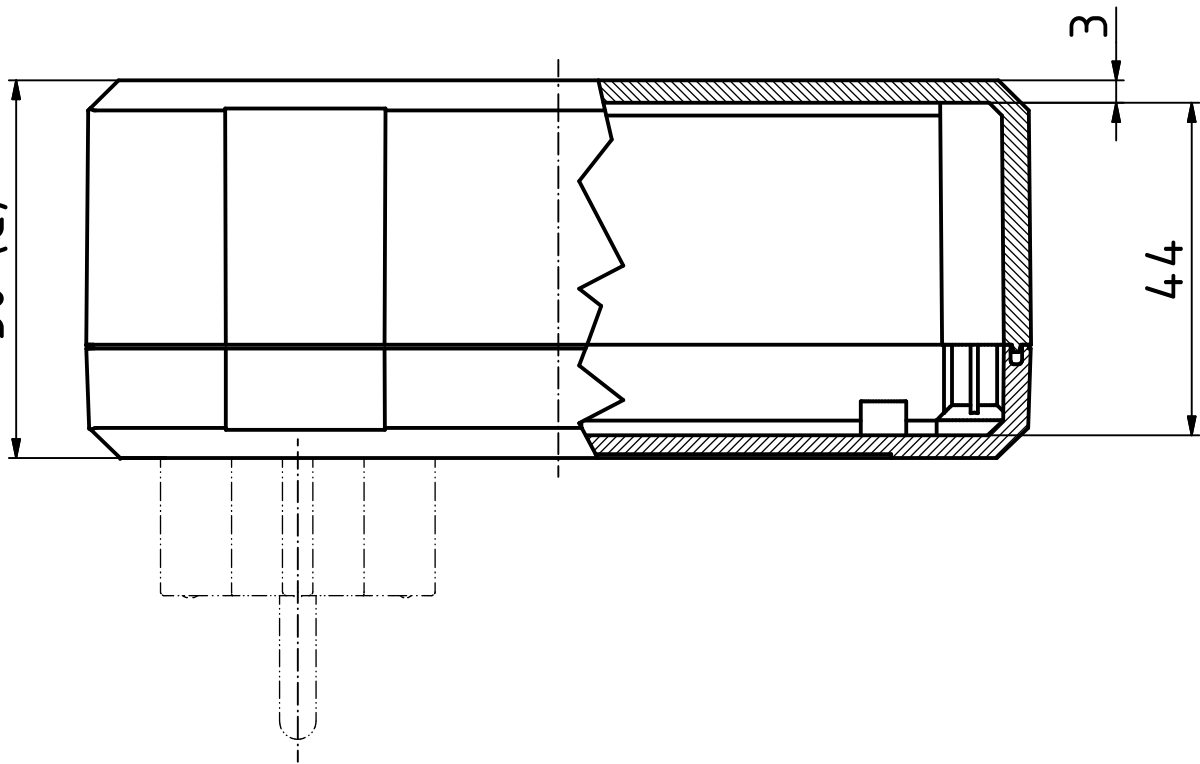
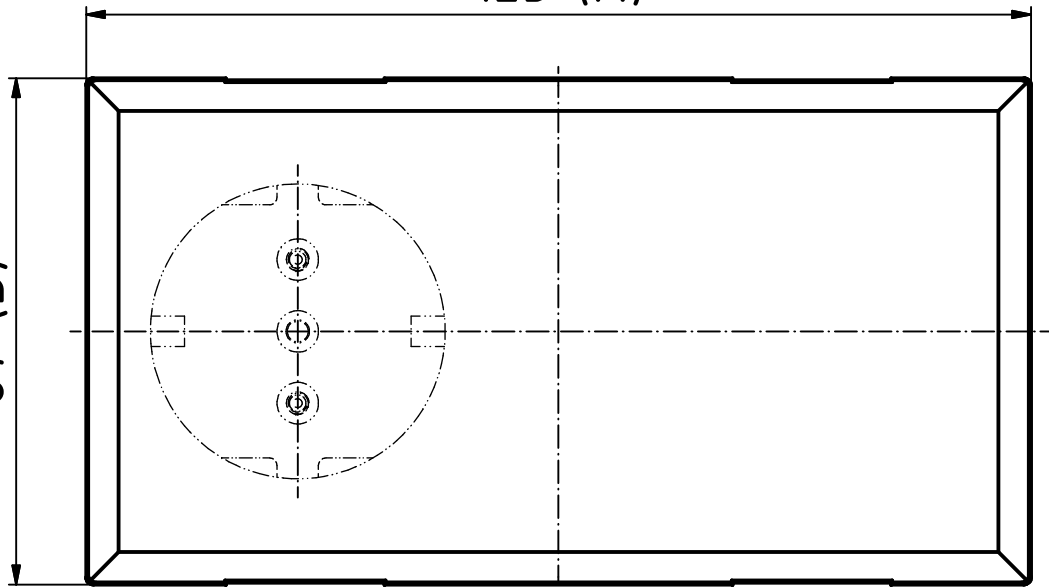


50 (C)



125 (A)

67 (B)



Z-2803705