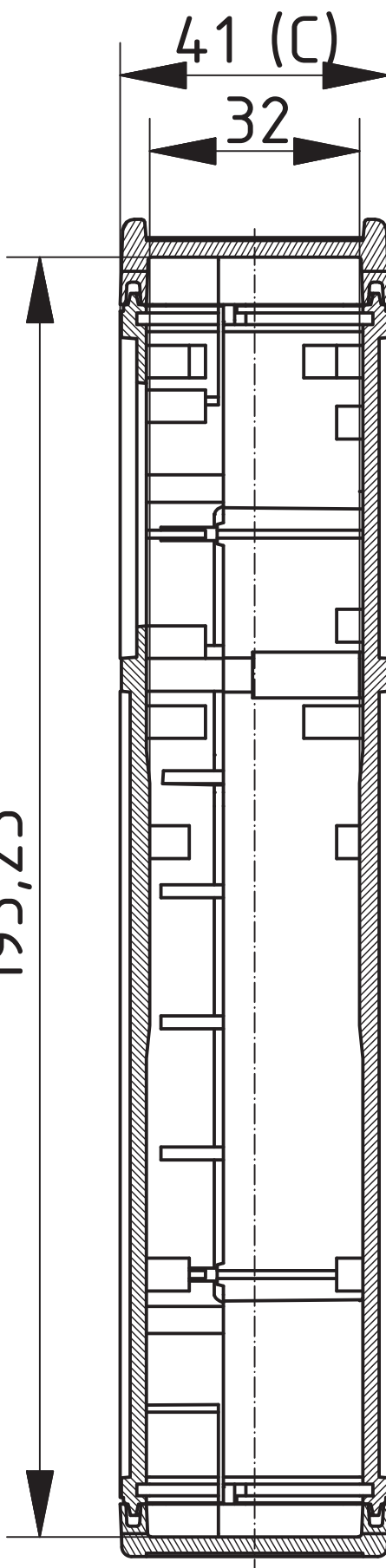


195,25



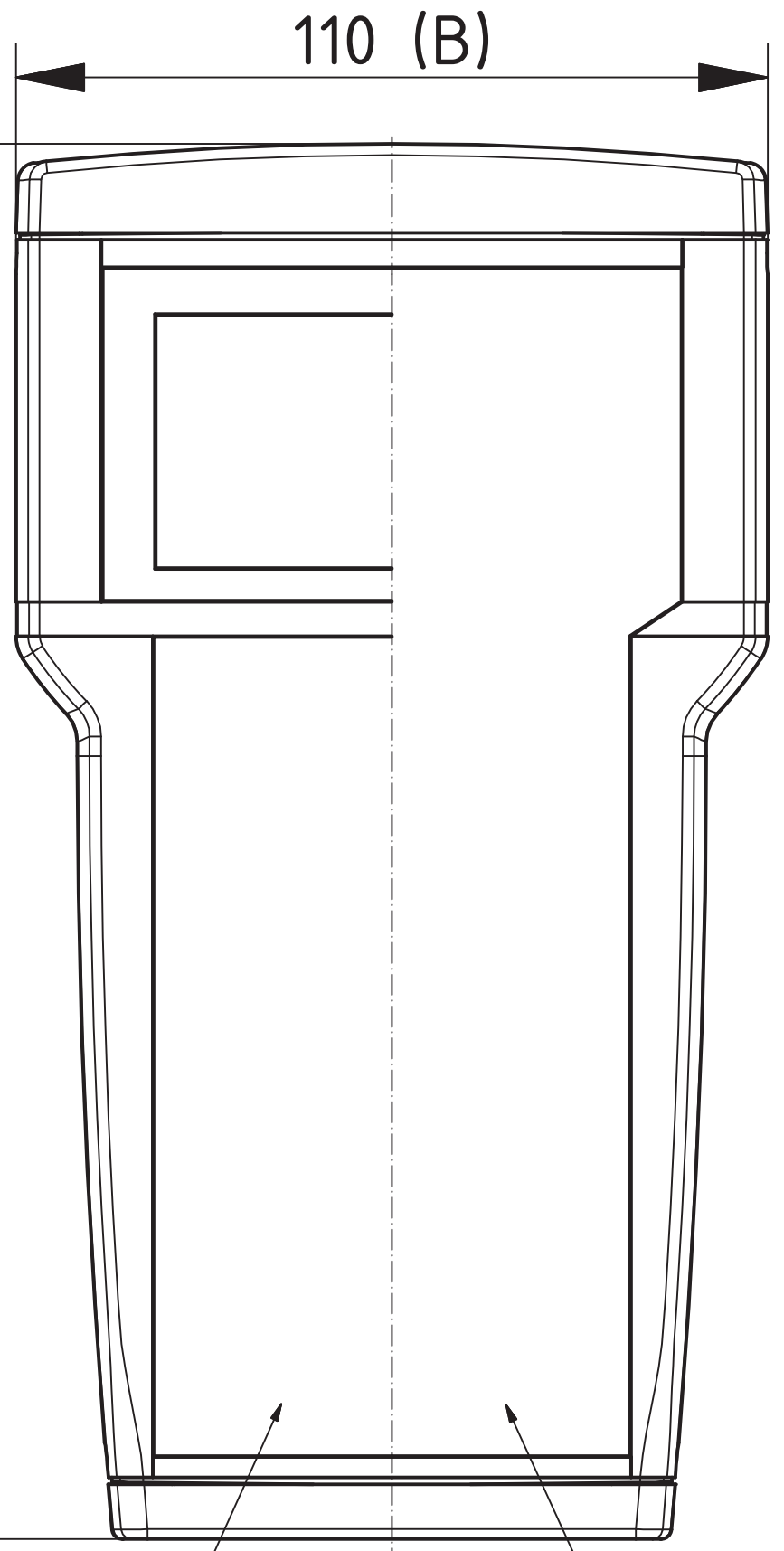
41 (C)

32

204 (A)

Z-2803231

ART 655 DIS



110 (B)

ART 655 F