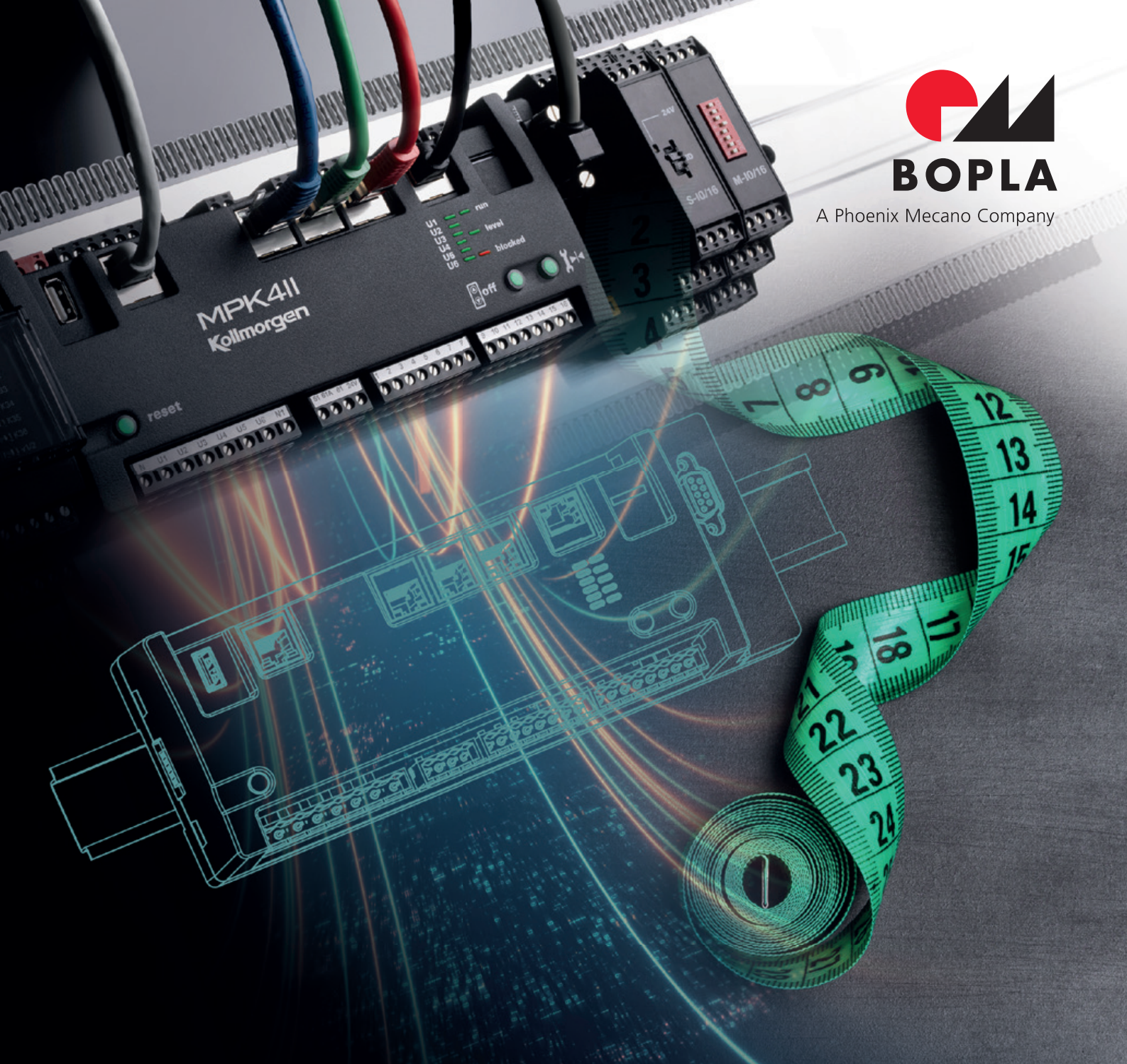




BOPLA

A Phoenix Mecano Company



CUSTOM-DESIGNED ENCLOSURES

Made of plastic and metal.

BOPLA
enclosures ■ content matters

Do you want your electronics to be individually-protected? We are the right partner for you!

The enclosure is your product's business card, so its design is extremely important. Our team of experts is here to support you from the initial idea and start of your new product. The following pages show you a small selection of customers' existing projects. Together with you, we determine the optimal manufacturing process for your application and convert your idea into your product!



The manufacturing technologies

Characteristics and advantages of plastic.



Plastic injection-moulding technology

- Very high level of design freedom
- Integration of function elements (hinge, locking function, ...)
- Radio permeable
- Perfect coordination between material and application is possible
- Corrosion-resistant
- Low weight
- Low unit costs for large quantities

Characteristics and advantages of metal.



Metal enclosures using stamping & bending technology

- Often no need for investment in tools
- Good opportunities for EMC screening and conductive connections
- Ideal for use in difficult environments (high chemical and temperature resistance)
- Low-cost alterations to the enclosure design are possible
- Very good stability



Metal enclosures using profile technology

- Lengths are variable (a "family" of enclosures can easily be created)
- Ideal for use in difficult environments (high chemical and temperature resistance)
- Good opportunities for EMC screening and conductive connections
- Very good heat dissipation
- Low tool costs
- High level of impact resistance
- Very good stability



Metal enclosures using diecast technology

- Reliable even under extreme conditions
- High impact resistance, stability and ingress protection
- Resistant to chemicals and temperature
- Very good heat dissipation
- Good EMC screening

Watch now:
Custom-designed enclosures „live“



www.bopla.de/60



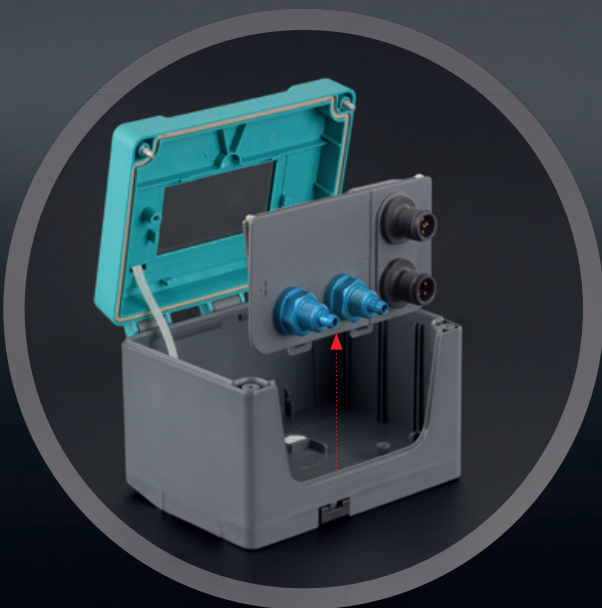
Plastic enclosures

Digital pressure switch / transmitter to monitor overpressure and negative pressure.

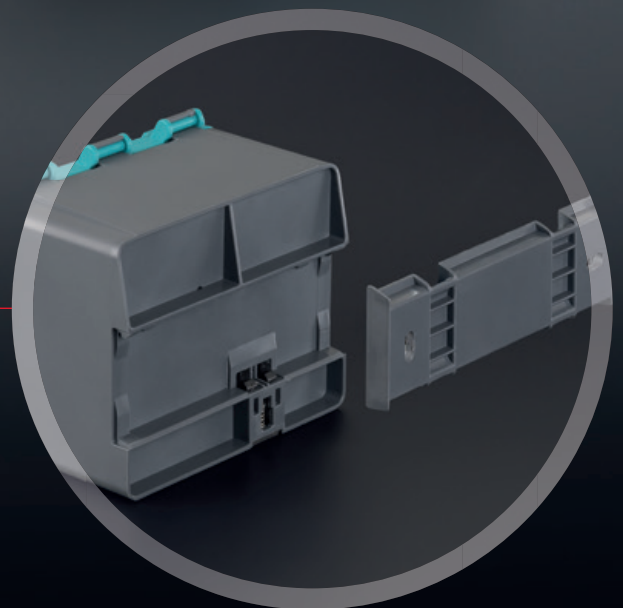
Multicoloured enclosure with hinged cover.



Cover with integrated display and membrane keypad



Modular connection plate IP65, for use with the required configuration



For snapping onto a design-integrated top hat rail

Power unit for tattooing machine.

Design-oriented enclosure incl. electronics manufacture, mounting, final inspection and packing.

Polished product name on top



Display strip cover with black "disappearing effect" panel



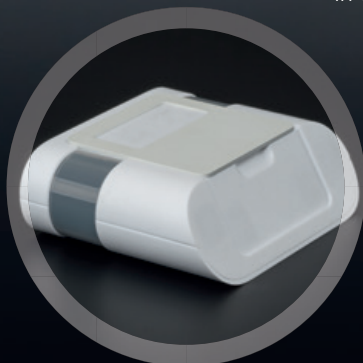
Snap-lock mechanism – no visible screw connections



Tip-up foot in end position



Sophisticated customised packing, with slide-in insert and contour-foamed inlay



Tip-up foot with magnets – closed position on the rear



Plastic enclosures

Processor unit for elevator control.

With variable connections options.

Integration
of individual light guides

Snap-lock mechanism – no visible
screw connections



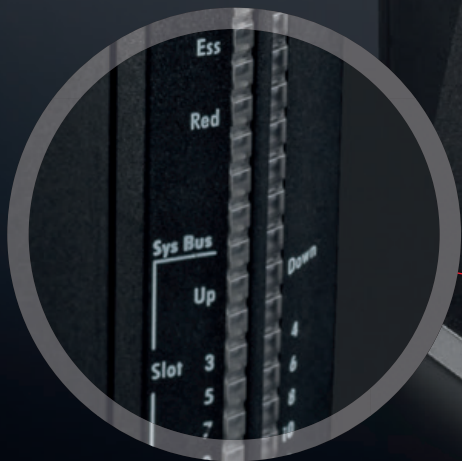
Integrated snap-lock foot
for top hat rail mounting

Seamless safety control.

Five-piece enclosure concept – mounted complete, without screws.



Front panel and ventilation caps – pushed on and locked in place



Integrated light guide

Integrated connectors for contacting the individual frame-type plug-in units on a backplane



Installation in a 19" rack



Plastic enclosures

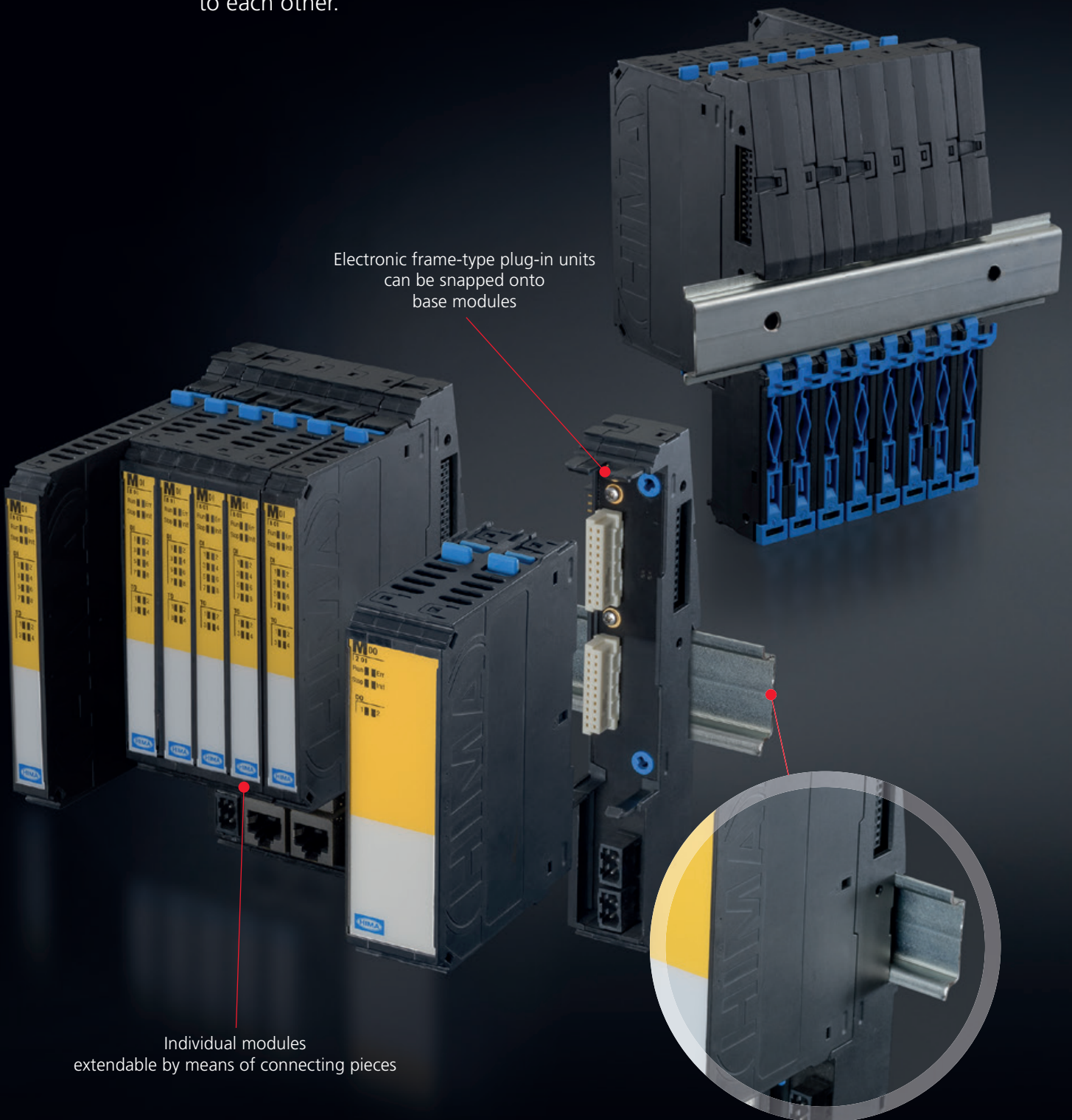
Safety controller for process control.

In the modular-design control enclosure, the modules are stackable and contacted to each other.

Electronic frame-type plug-in units can be snapped onto base modules

Individual modules extendable by means of connecting pieces

Sub-assemblies for mounting on a top hat rail



Control of decentralised video monitoring e. g. in public places.

Modified standard enclosure (Bocube)
with customised enclosure base.

Plastic covers
with mounting contours
for connecting fibre optic cables



Lockable using padlock

Rear-side integrated two-part
heat sink with seal guaranteeing
IP66/67 protection



Screwless closure
using integrated hinge lock
technology



Rear-fitted pole mount,
180° reversible, also for use
as wall fitting



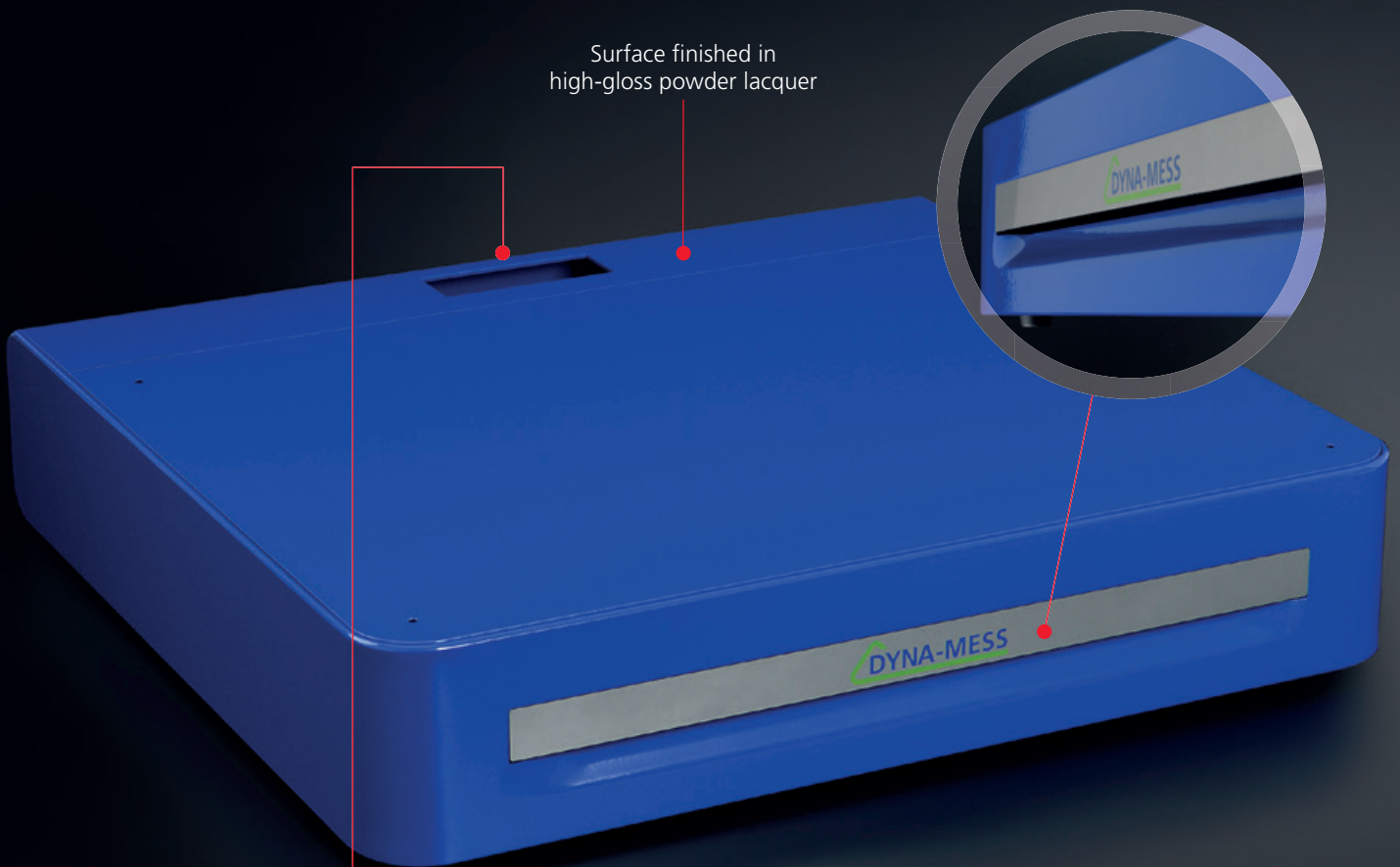
Metal enclosures using stamping & bending

Multi-part enclosure for use in material testing.

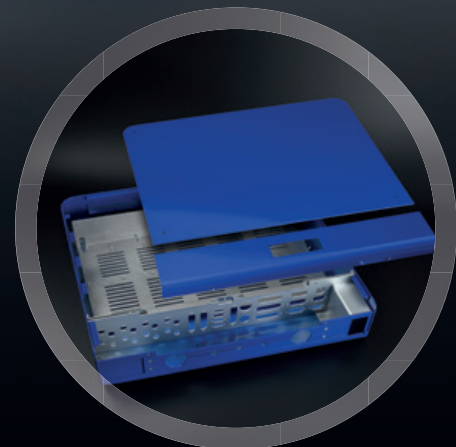
Enclosure design made of welded and chamfered sheet metal.

Stainless steel design strip, with screen printing, fitted in a recessed area; additional stamped recess for indirect illumination

Surface finished in high-gloss powder lacquer



Various break-throughs on the rear for mounting a range of components



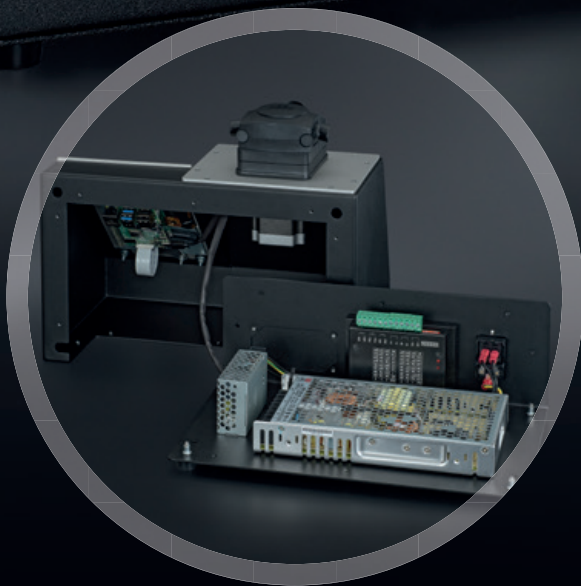
Two-part lid version for mounting connectors

technology

Hose pump control with a modern design.

Welded enclosure body with screw-on base and flush integrated glass pane incl. touch screen.

The lid and base are screwed on the rear

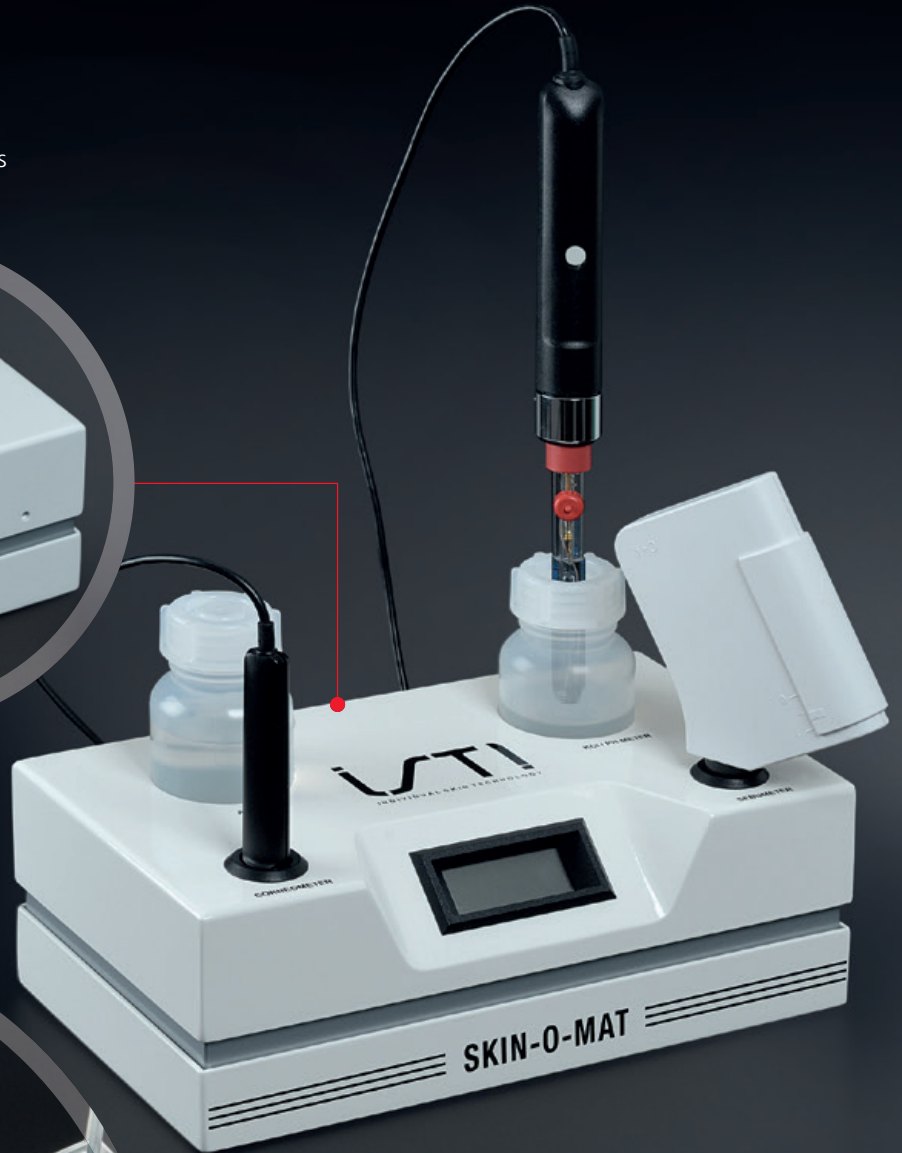


The L-shaped base houses a large part of the electronics

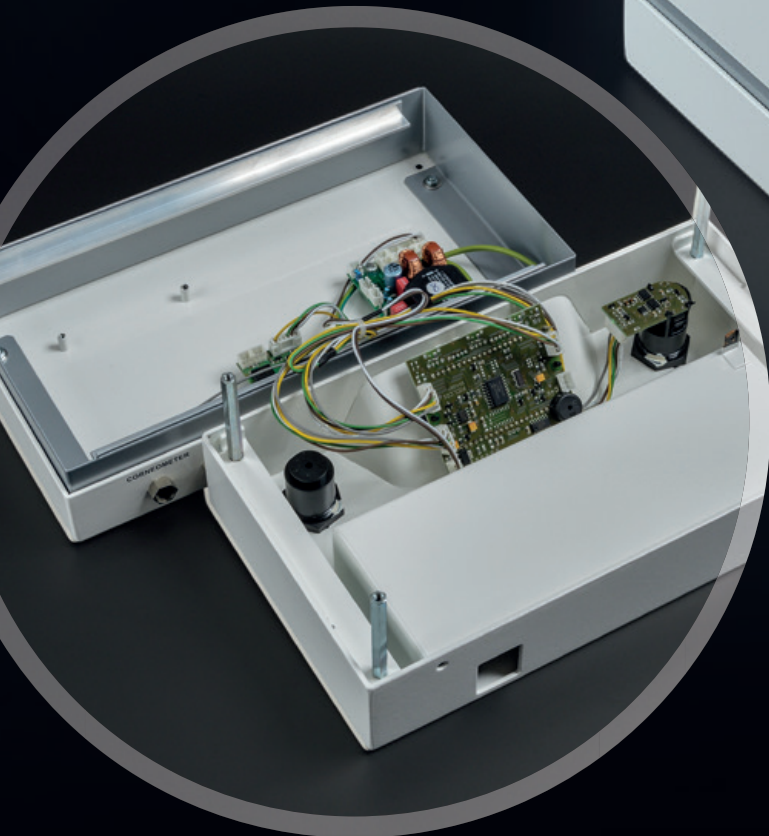


Metal enclosures using stamping & bending

Rear cut-outs for through-feed of cables and connectors



The welded enclosure was enhanced with powder coating and screen printing



Desktop enclosure for use in dermatology.

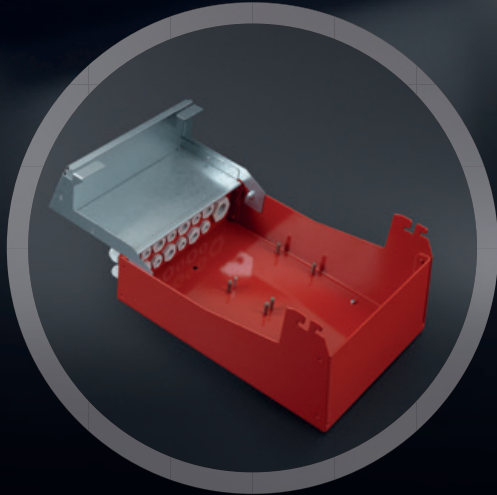
The sheet steel enclosure consists of three parts. Its display area is angled, which improves display readability.

technology

Arrest system for fire protection closures as part of track-bound conveyor systems.

Powder-coated wall-mounted enclosure with recessed area for a membrane keypad.

The removable lid ensures easy access to the electronics





Metal enclosures using stamping & bending

Console enclosure for medical technology.

The welded central part of the enclosure is glued to the stainless steel lid.



A self-adhesive sponge rubber panel ensures the necessary stability



Access to the electronics is via the screw-on base

technology

The removable lid provides fast access to the electronics

Various connections are provided on the rear



2 U enclosure for installation in a 19" rack used in audio technology.

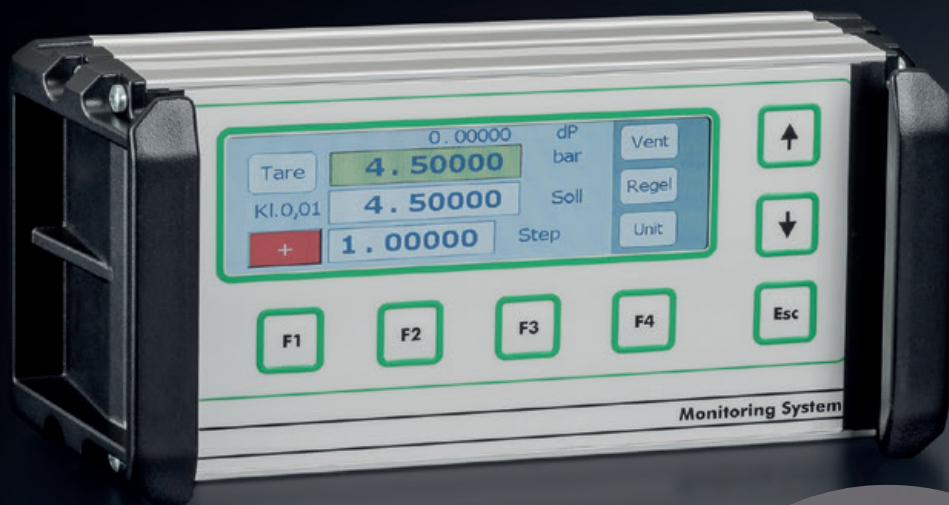
Black anodised steel sheet enclosure with front panel enhanced with digital printing.



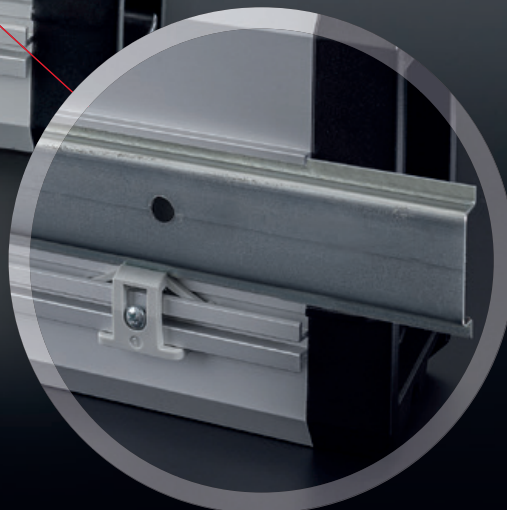
Metal enclosures using profile technology

Mobile data logger for diagnosing switchgear problems.

Anodised aluminium profile with recessed area for membrane keypads and powder-coated end caps with moulded diecast handles.



Enclosure bodies made of aluminium profiles



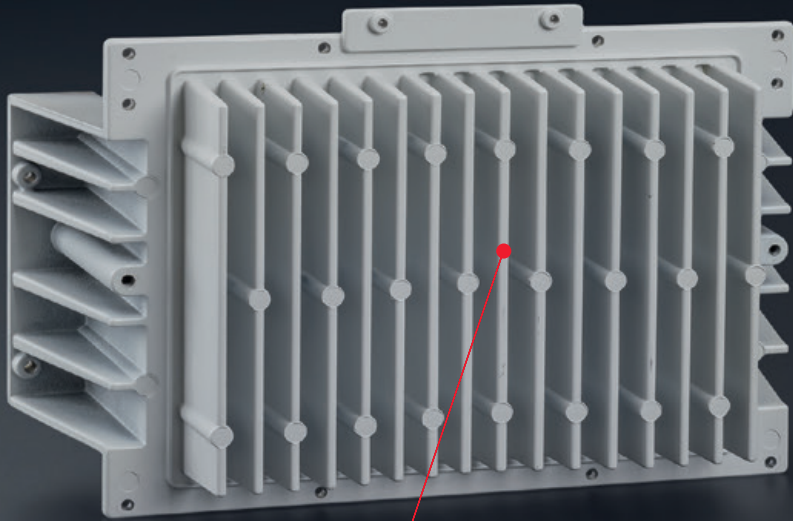
DIN rail support on the enclosure rear



Metal enclosures using diecast technology

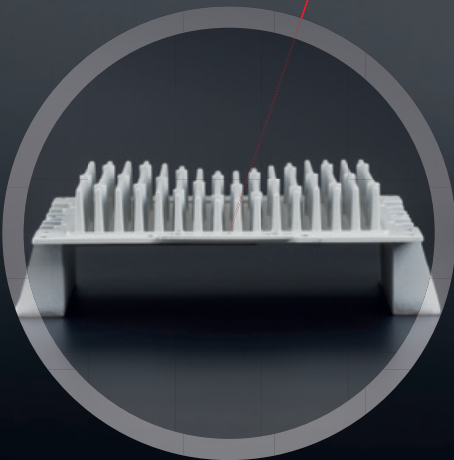
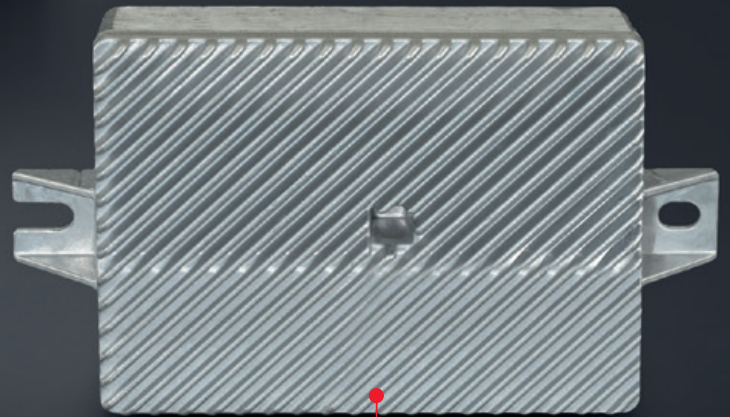
Heat sink for installation in a plastic enclosure.

Powder-coated diecast aluminium element.

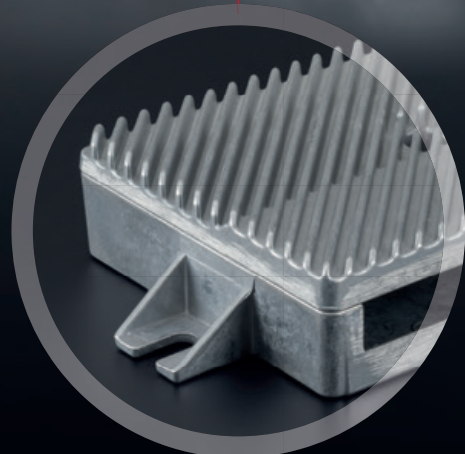


Control unit for sound management system exhaust characteristics in motor vehicles.

Diecast aluminium enclosures with screw connection through the middle of the enclosure.



Diecast heat sink with tailormade fixing points and slot for sealing contour



Moulded brackets for wall mounting



Here are the solutions:

From the idea to the product!



Conception

Consulting / Specification /
Preliminary costing



Processing · Machining

CAD/CAM / Milling / Drilling /
Countersinking / Punching / Sawing



Production

Plastic injection moulding / Aluminium profile extrusion /
Aluminium die-casting / Zinc die-casting /
Stamping and bending technology



Construction

Product design / Prototype construction /
Manufacturing and cost analysis



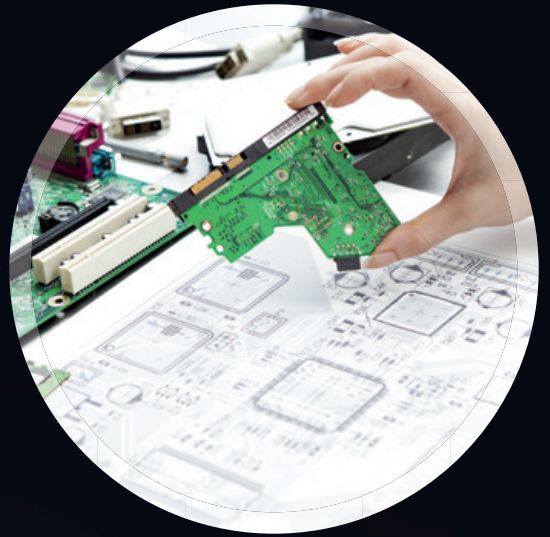
Tools

Tool design / Production analysis /
Tool manufacture



Refinement

Printing / (powder) Lacquering /
Engraving / Laser marking /
EMC screening



Integration of electronics

Development support & advice /
Manufacture & mounting / Full service /
Testing



Mounting

HMI integration / Assembly / Wiring /
Cable assembly / Final test /
Function test



In-house test laboratory

IP test / IK test /
Climatic test / EMC test



Packaging

ESD-compliant packaging /
Customised packaging /
Returnable packaging / Logistics concept

Your personal contact:

Worldwide



www.bopla.de/110

Bopla Gehäuse Systeme GmbH | Borsigstraße 17-25 | D-32257 Bünde
Tel. +49 (0) 5223-969-0 | Fax +49 (0) 5223-969-100
info@bopla.de | www.bopla.de



A Phoenix Mecano Company