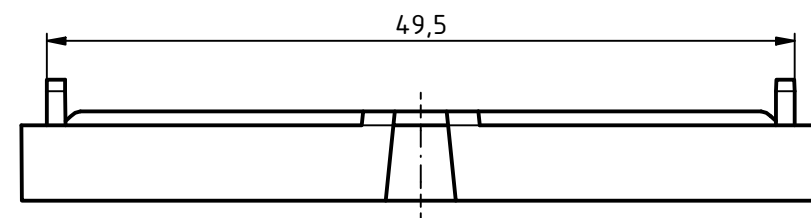
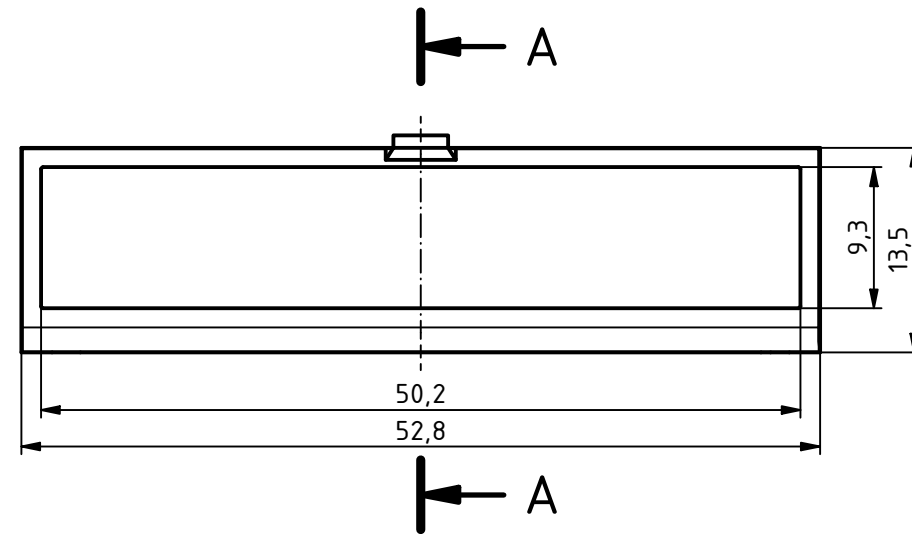
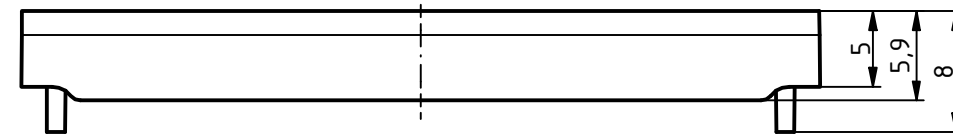
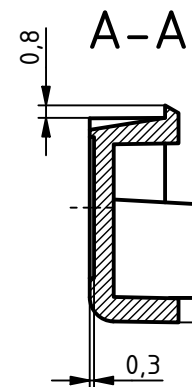
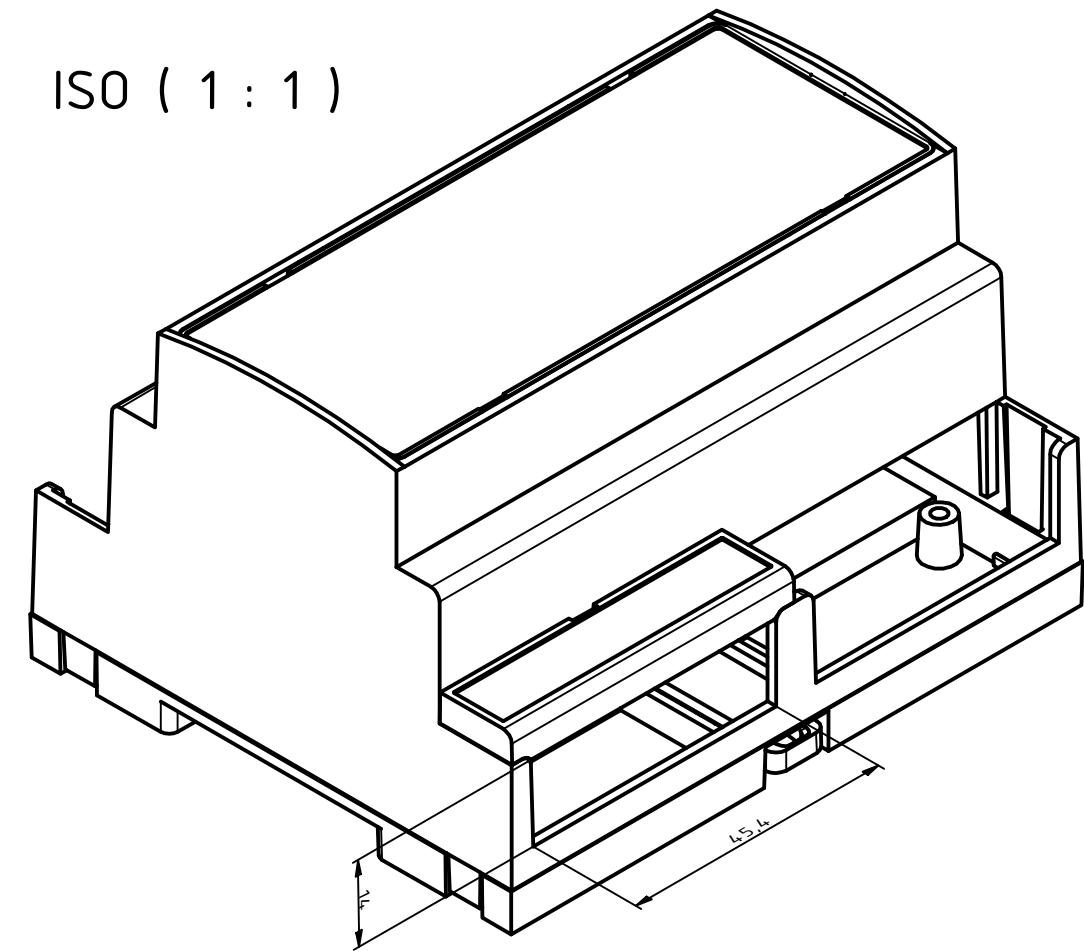
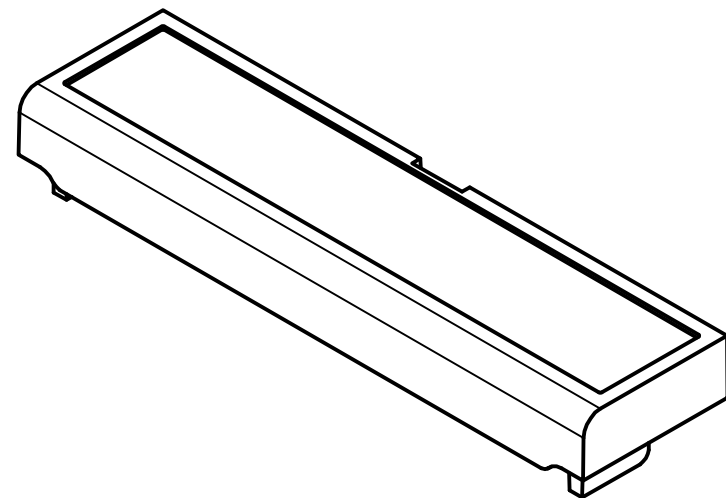


"Schutzvermerk nach DIN ISO 16016 beachten" "Please pay attention to copyright note DIN ISO 16016"

ISO (1 : 1)



ISO (2 : 1)



Maßstab/ Scale:	2:1 (1:1)	
Zeichnungs-Nr. / Drawing-No.:	3K 5465.007.01	
Artikel / Article:	CNC KA 52.5-S Klemmenabd. vorn offen CNC KA 52.5-S Terminal Cover open at the front Katalogzg./Catalogue draw.	
Ä.Nr/ Alt.No.:	Datum/ Date:	 BOPLA A Phoenix Mecano Company
DISK:	2604447.idw	
Datum/Date:	11.11.2020	BSCH/JL