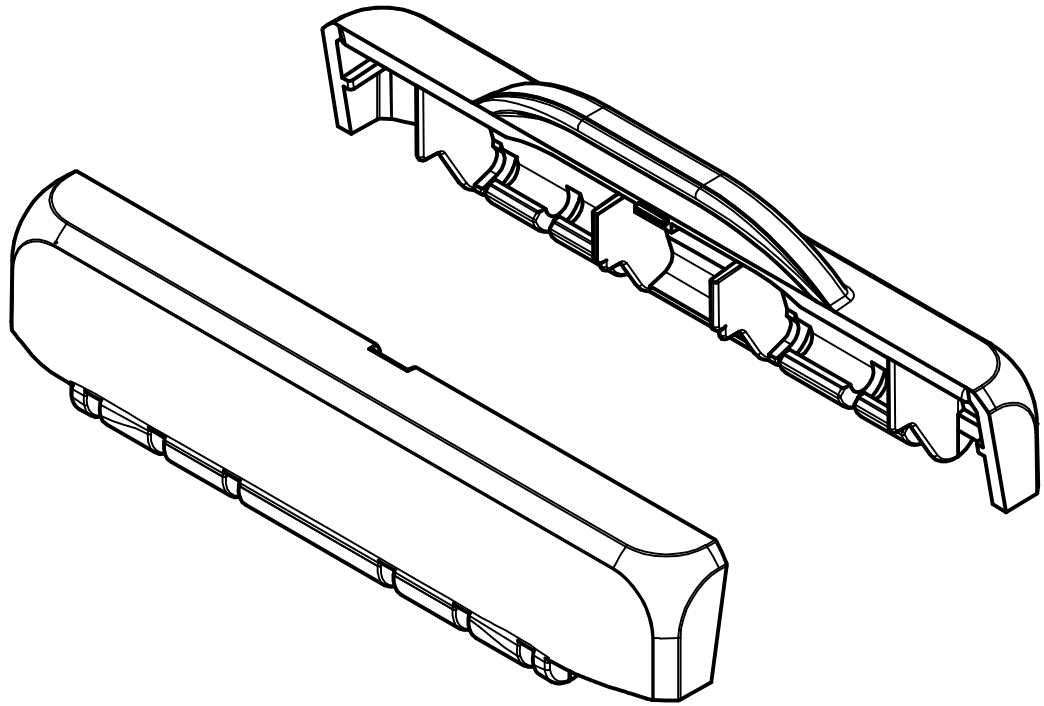
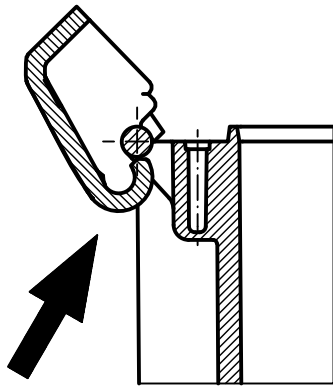


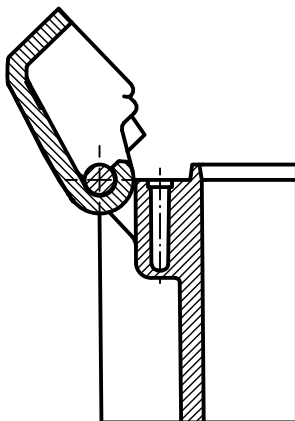
"Schutzvermerk nach DIN ISO 16016 beachten" "Please pay attention to copyright note DIN ISO 16016"



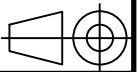
B SC HB 13 Montagerichtung
B SC HB 13 mounting direction



B SC HB 13 montiert
B SC HB 13 mounted



Maßstab/
Scale: 1:1



Zeichnungs-Nr. / Drawing-No.:
4K 5390.187.01

Artikel / Article:
BOCUBE
B SC HB 13
Katalogzg./Catalogue draw.

Ä.Nr/
Alt.No:

Datum/
Date:

DISK: 2503645.idw
Datum/Date: 02.04.2014 KH



BOPLA

A Phoenix Mecano Company