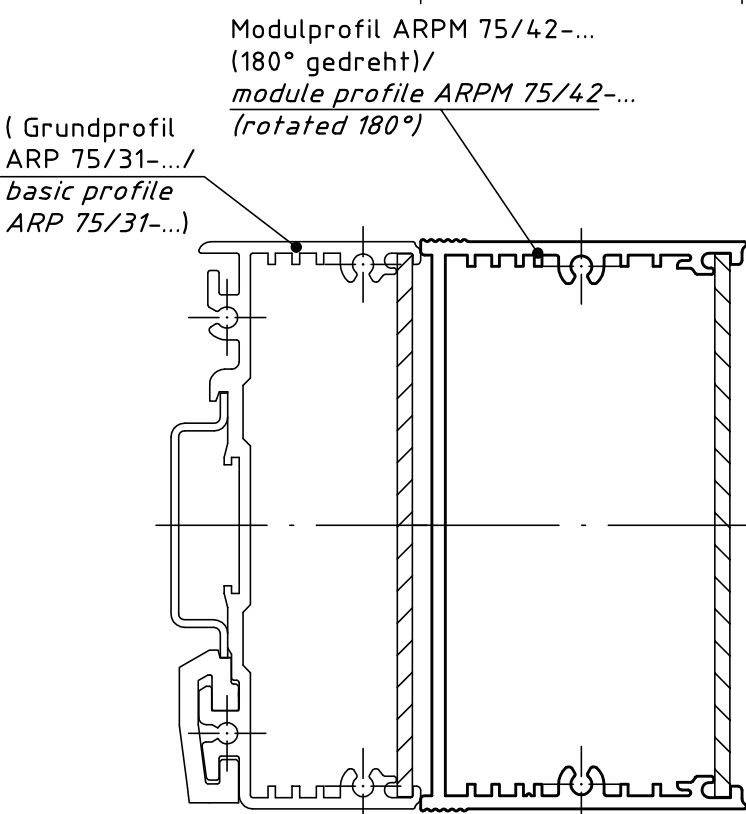
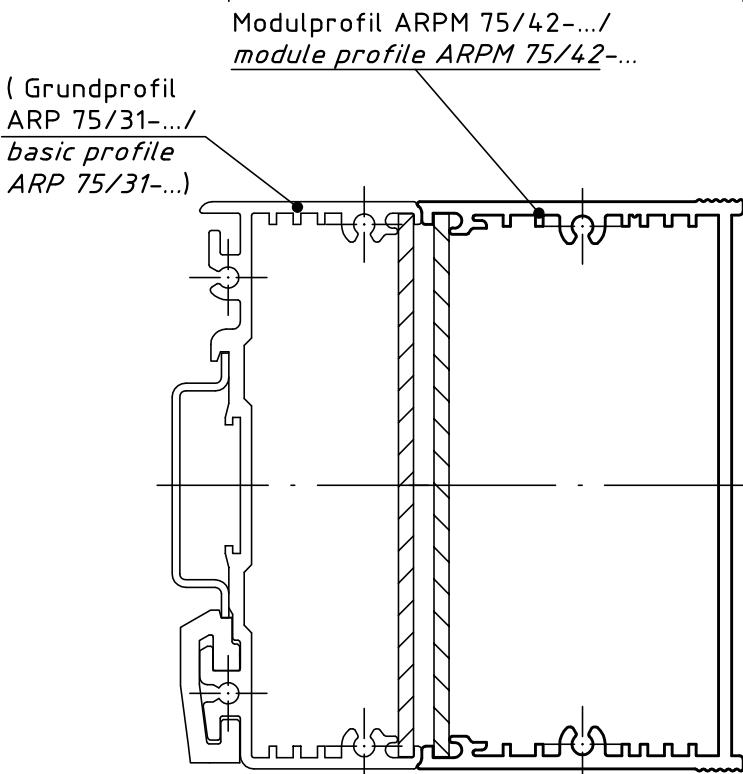
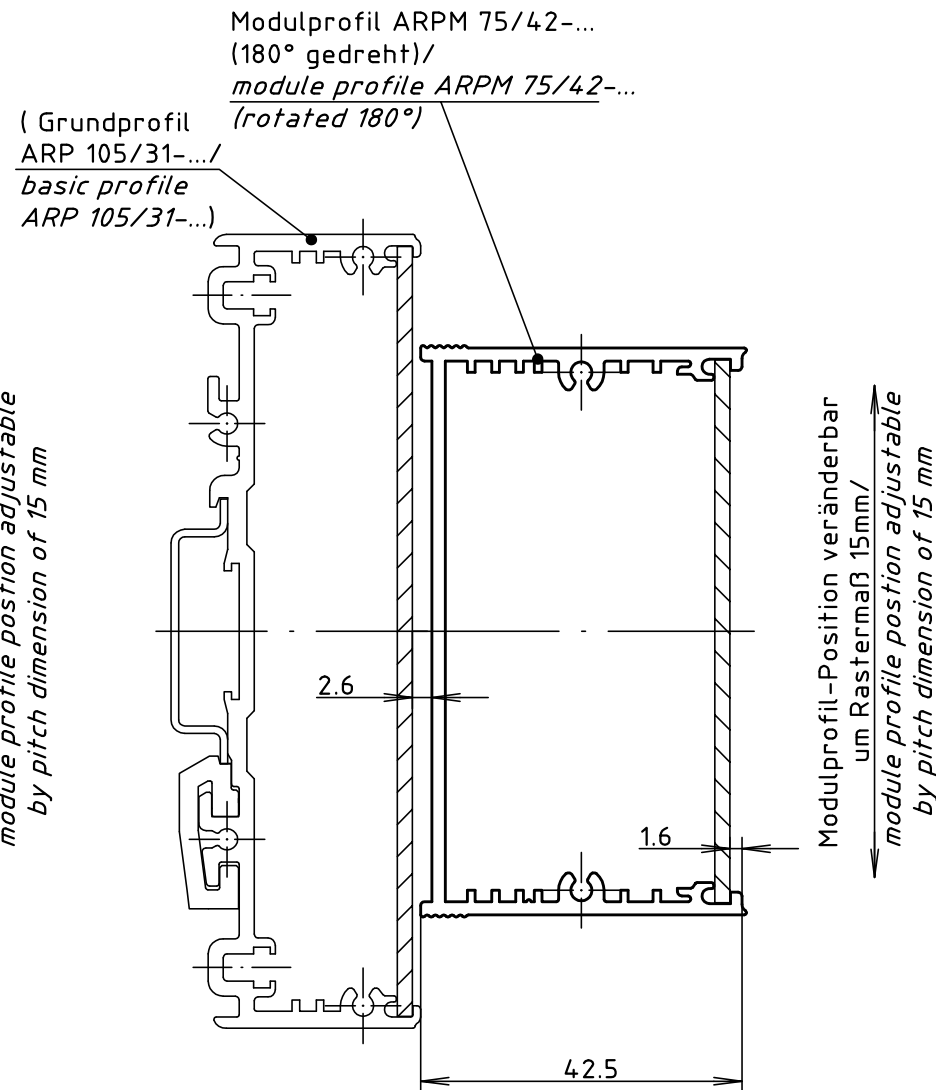
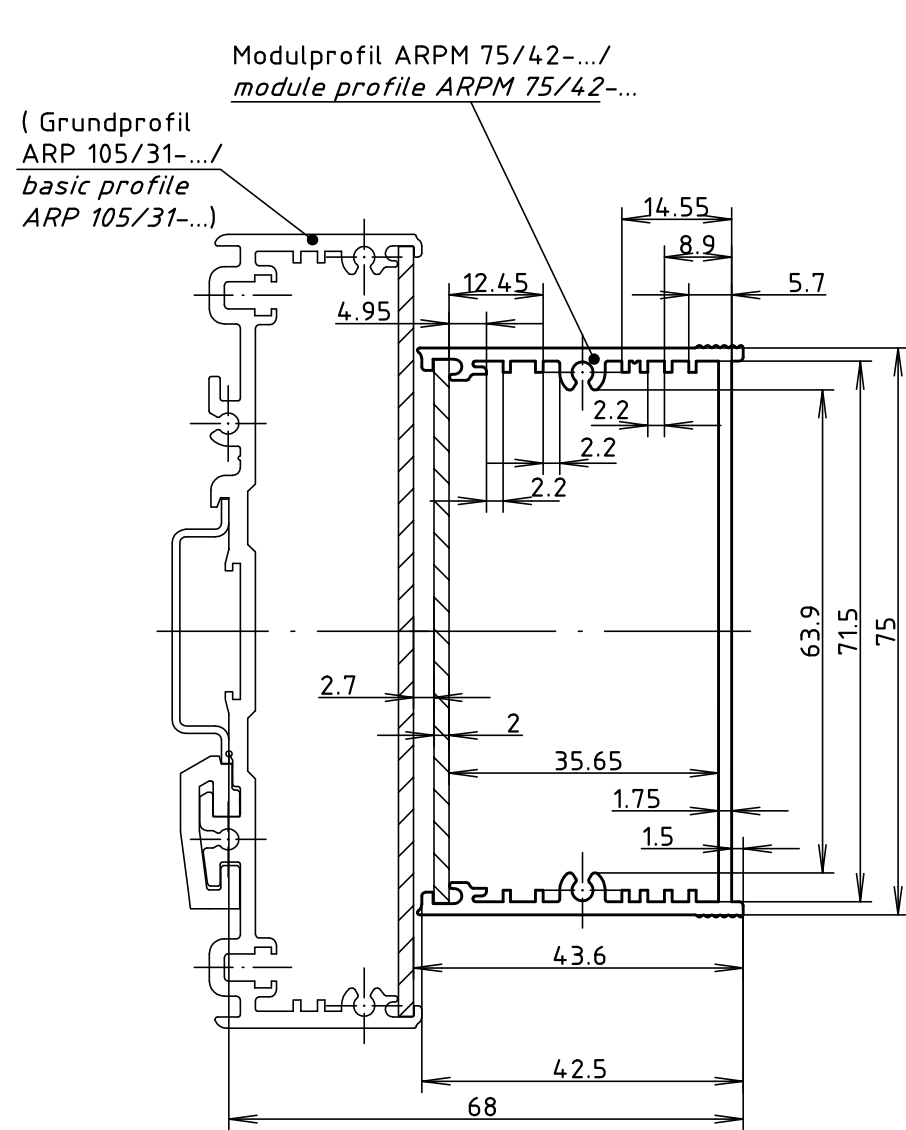


"Schutzvermerk nach DIN ISO 16016 beachten" "Please pay attention to copyright note DIN ISO 16016"



| Modell / model  | LM=Modulprofillänge/<br>LM=module profile<br>length |
|-----------------|---|
| ARPM 75/42-35   | 25.0  |
| ARPM 75/42-52.5 | 42.5  |
| ARPM 75/42-70   | 60.0  |
| ARPM 75/42-105  | 95.0  |
| ARPM 75/42-140  | 130.0   |
| ARPM 75/42-175  | 165.0   |
| ARPM 75/42-210  | 200.0   |
| ARPM 75/42-245  | 235.0   |
| ARPM 75/42-1000 | 990.0   |

Maßstab/  
Scale: 1:1

Zeichnungs-Nr. / Drawing-No.:  
3K 5255.190.01

Artikel / Article:  
ARPM 75/42-...  
Katalogzeichnung/  
Catalogue drawing

|  |                 |
|--|-----------------|
| Ä.Nr.<br>Alt-No.:                          | Datum/<br>Date: |
| DISK: 2 602 106<br>Datum/Date: 24.01.01 KH |                 |

**BOPLA**  
A Phoenix Mecano Company