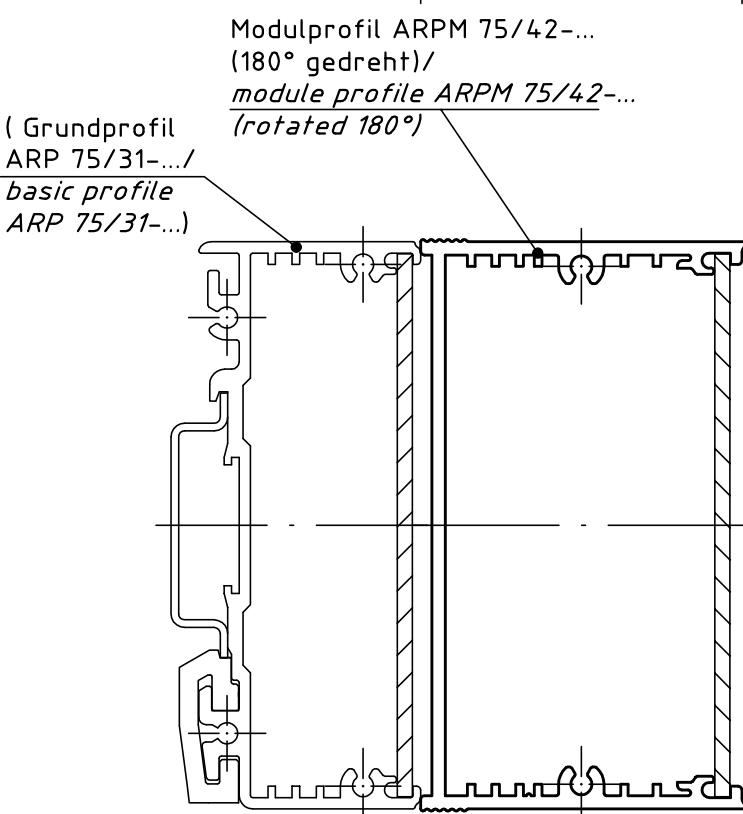
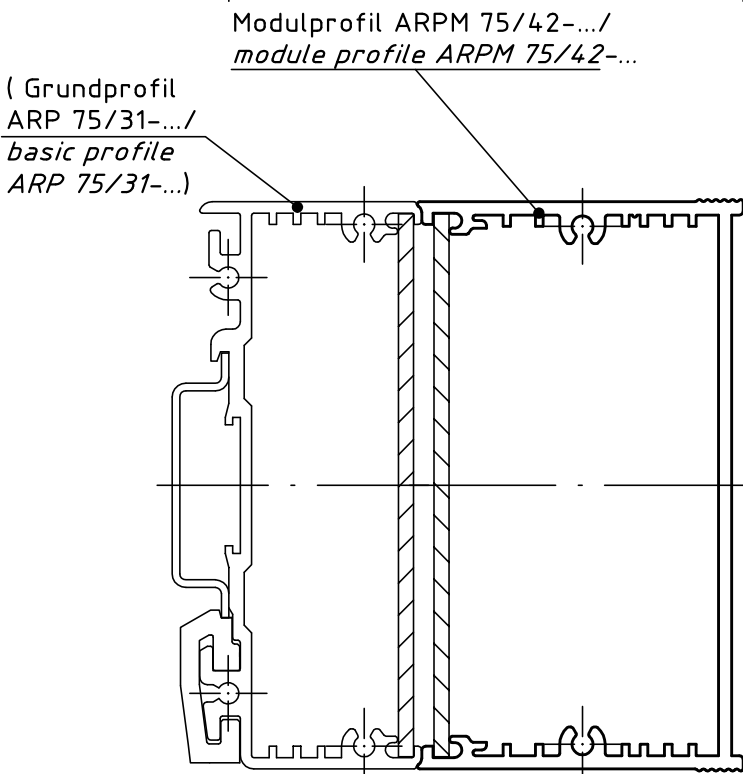
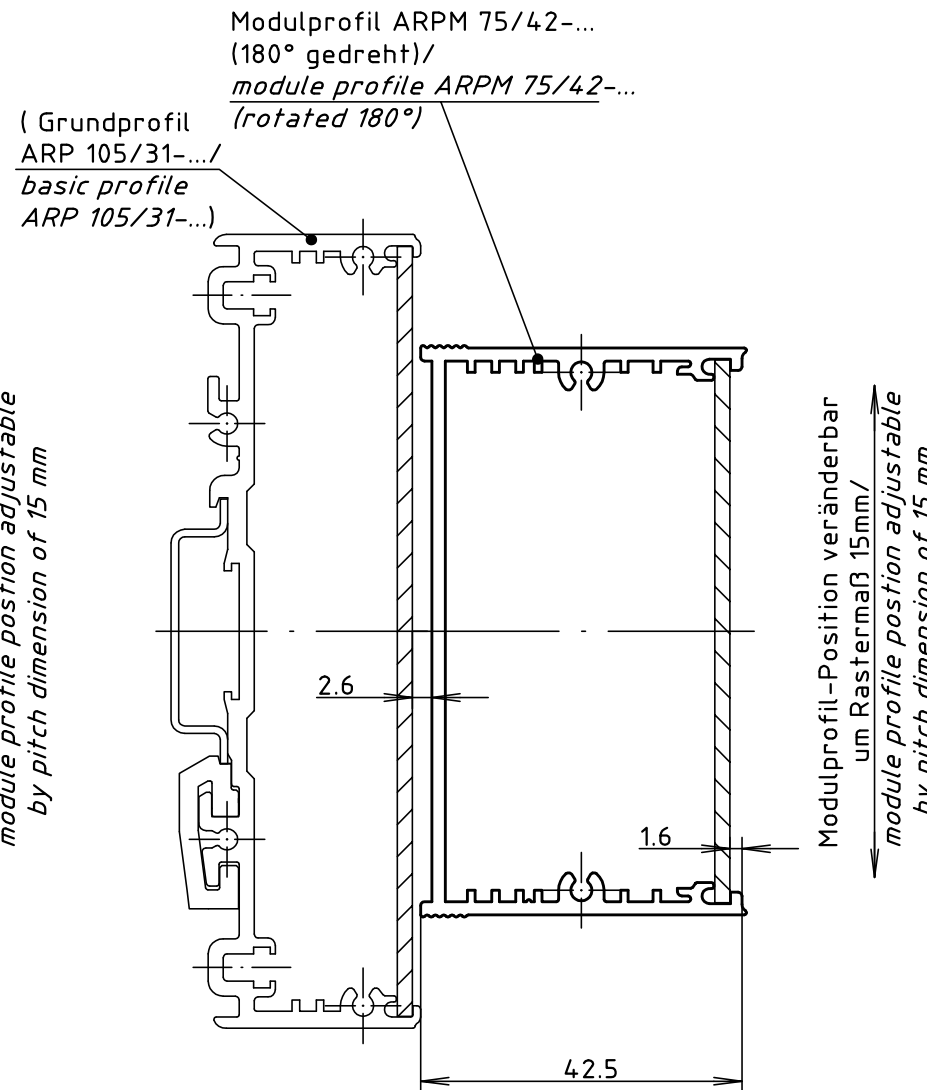
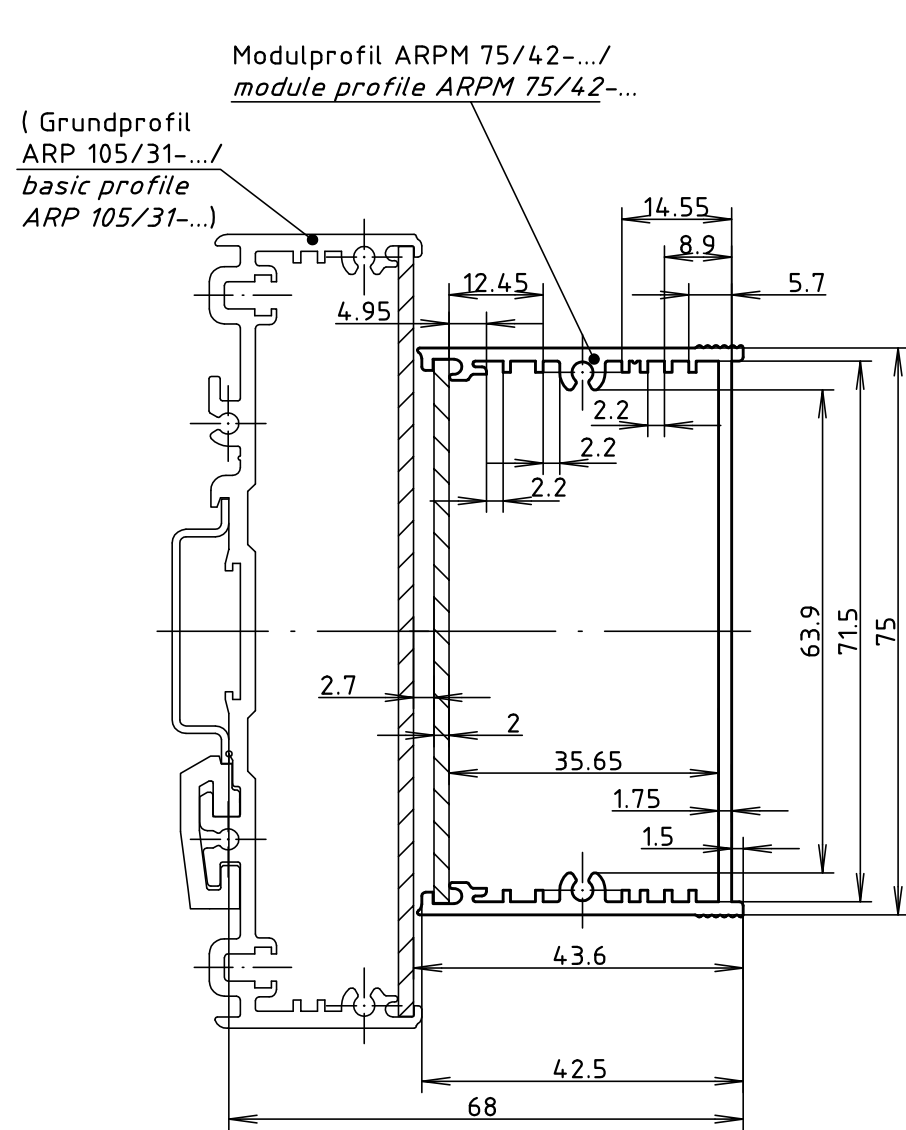


"Schutzvermerk nach DIN ISO 16016 beachten" "Please pay attention to copyright note DIN ISO 16016"



Modell / model	LM=Modulprofillänge / LM=module profile length
ARPM 75/42-35	25.0
ARPM 75/42-52.5	42.5
ARPM 75/42-70	60.0
ARPM 75/42-105	95.0
ARPM 75/42-140	130.0
ARPM 75/42-175	165.0
ARPM 75/42-210	200.0
ARPM 75/42-245	235.0
ARPM 75/42-1000	990.0

Maßstab/ Scale:	1:1	
Zeichnungs-Nr. / Drawing-No.:	3K 5255.190.01	
Artikel / Article: ARPM 75/42-... Katalogzeichnung / Catalogue drawing		
A.Nr. Alt-No.:	Datum/ Date:	 BOPLA A Phoenix Mecano Company
DISK: 2 602 106 Datum/Date: 24.01.01 KH		