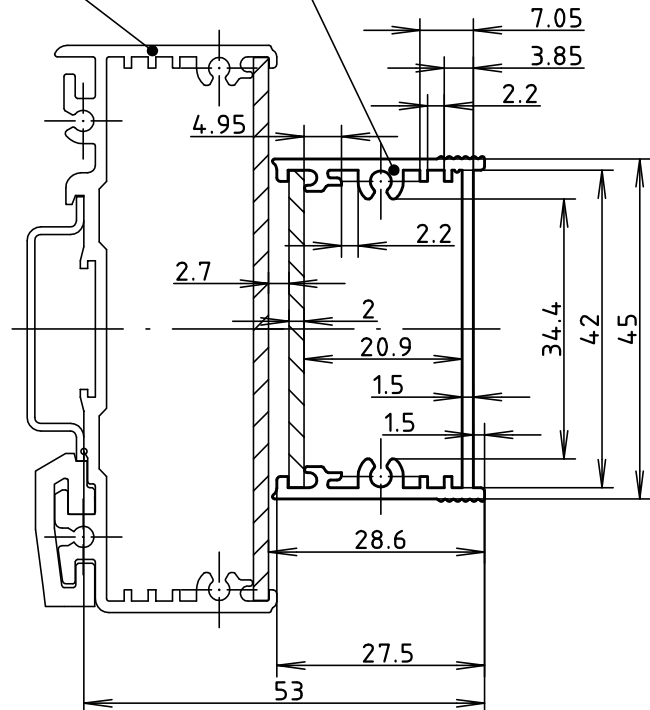


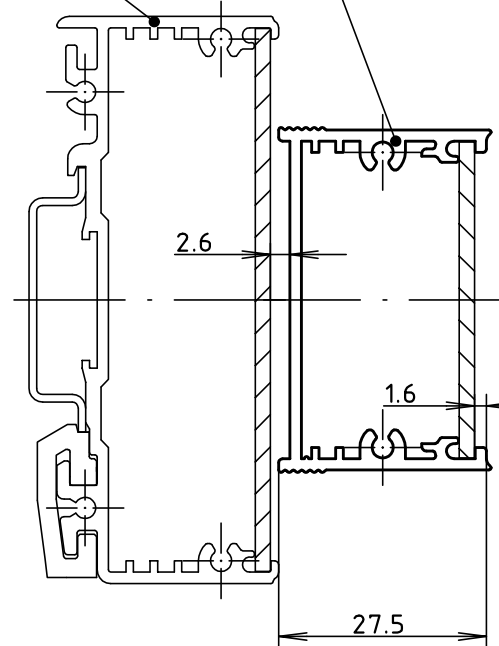
Abmessungen entsprechen der DIN 43880 - Installationseinbaugeräte/
 dimensions correspond to the DIN 43880 for installation equipment

(Grundprofil Modulprofil ARPM 45/27-.../
 ARP 75/31-... / module profile ARPM 45/27-...
 basic profile ARP 75/31-...)



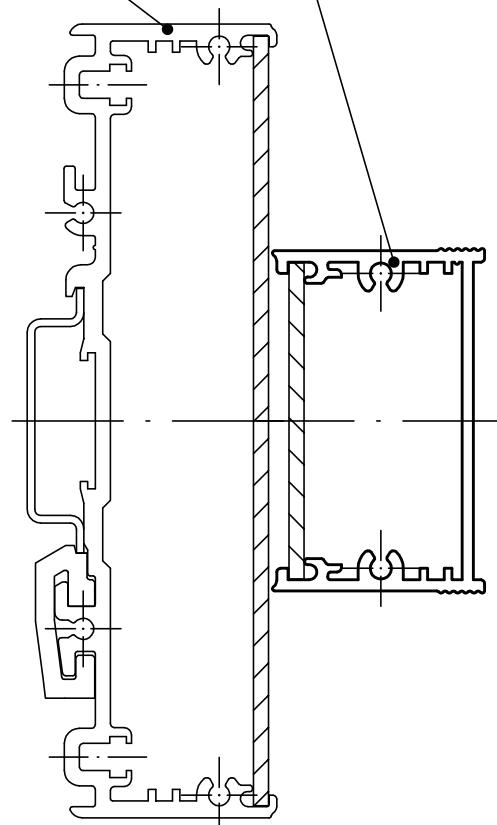
Modulprofil-Position veränderbar
 um Rastermaß 15mm/
 module profile position adjustable
 by pitch dimension of 15mm

Modulprofil ARPM 45/27-...
 (180° gedreht)/
 (Grundprofil Modulprofil ARPM 45/27-.../
 ARP 75/31-... / module profile ARPM 45/27-...
 basic profile ARP 75/31-...)
 (rotated 180°)



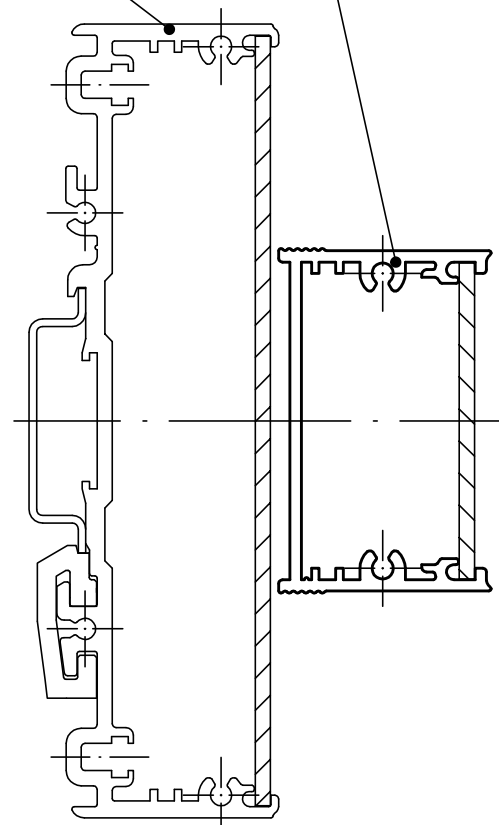
Modulprofil-Position veränderbar
 um Rastermaß 15mm/
 module profile position adjustable
 by pitch dimension of 15mm

(Grundprofil Modulprofil ARPM 45/27-.../
 ARP 105/31-... / module profile ARPM 45/27-...
 basic profile ARP 105/31-...)



Modulprofil-Position veränderbar
 um Rastermaß 15mm/
 module profile position adjustable
 by pitch dimension of 15mm

Modulprofil ARPM 45/27-...
 (180° gedreht)/
 (Grundprofil Modulprofil ARPM 45/27-.../
 ARP 105/31-... / module profile ARPM 45/27-...
 basic profile ARP 105/31-...)
 (rotated 180°)




Modulprofil-Position veränderbar
 um Rastermaß 15mm/
 module profile position adjustable
 by pitch dimension of 15mm

| Modell / model | LM=Modulprofillänge/ LM=module profile length |
|-----------------|--|
| ARPM 45/27-35 | 25.0 |
| ARPM 45/27-52.5 | 42.5 |
| ARPM 45/27-70 | 60.0 |
| ARPM 45/27-105 | 95.0 |
| ARPM 45/27-140 | 130.0 |
| ARPM 45/27-175 | 165.0 |
| ARPM 45/27-210 | 200.0 |
| ARPM 45/27-245 | 235.0 |
| ARPM 45/27-1000 | 990.0 |

"Schutzvermerk nach DIN ISO 16016 beachten" "Please pay attention to copyright note DIN ISO 16016"

| | | |
|--|-----------------|-------------|
| Maßstab/ Scale: | 1:1 | |
| Zeichnungs-Nr. / Drawing-No.: | | |
| 3K 5255.186.01 | | |
| Artikel / Article: | | |
| ARPM 45/27-... | | |
| Katalogzeichnung/ Catalogue drawing | | |
| A.Nr/ Alt-No.: | Datum/ Date: | |
| | | |
| DISK: | | 2 602 102 |
| Datum/Date: | | 24.01.01 KH |


BOPLA
 A Phoenix Mecano Company