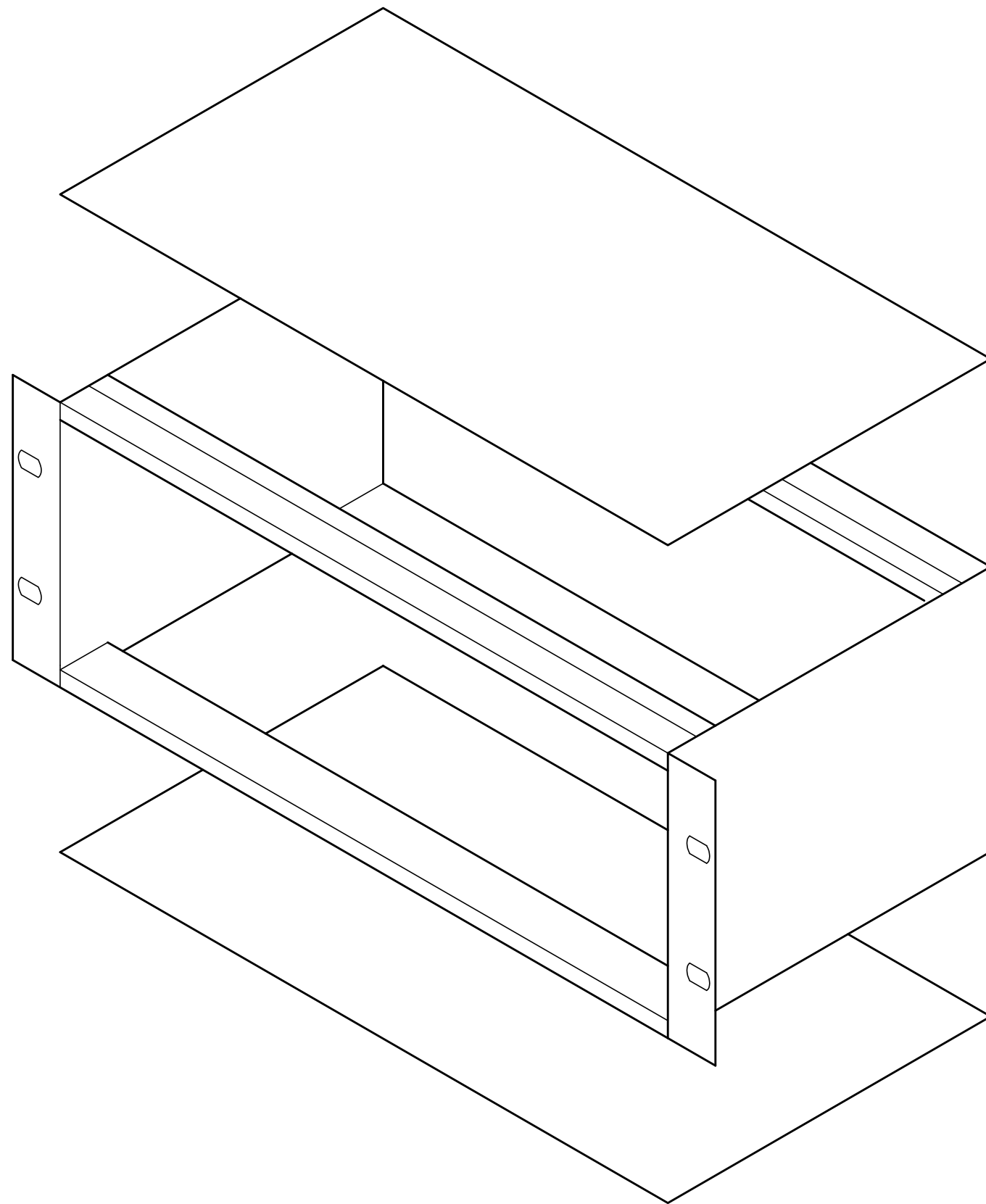
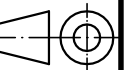


"Schutzvermerk nach DIN ISO 16016 beachten" "Please pay attention to copyright note DIN ISO 16016"



Maßstab/  
Scale: -



Zeichnungs-Nr. / Drawing-No.:

3K 5315.003.01

Artikel / Article:

Interzoll Modul

EMV-Feder-AP/M ..TE

EMC springs-AP/M .. HP

Katalogzeichnung / Catalogue drawing

---  
---  
---  
---  
---  
---  
---

A.Nr./  
Alt-No.:

Datum/  
Date:



**BOPLA**

A Phoenix Mecano Company

DISK: 2 901 813

Datum/Date: 18.06.99 HR